

How to measure your Dimensions Countertop



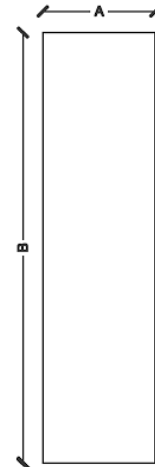
How to Measure Straight Kitchen

STEP 1:

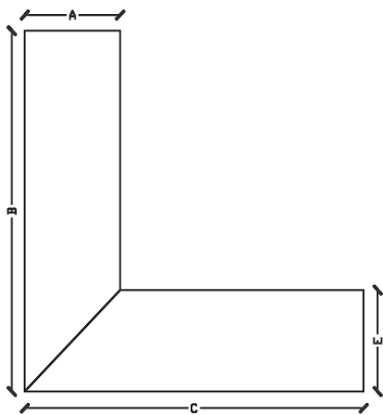
Measure Side A from the wall to the front edge of the countertop. Record the measurement.

STEP 2:

Measure Side B from the corner to the end of the countertop. Record the measurement.



How to Measure an L-Shaped Kitchen or Reverse L-Shaped Kitchen



STEP 1:

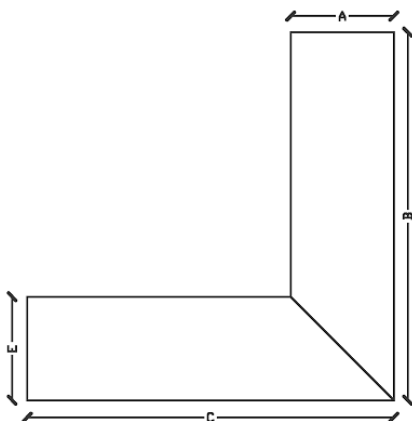
Measure Side A from the wall to the front edge of the countertop. Record the measurement.

STEP 2:

Measure Side B from the corner to the end of the countertop. Record the measurement.

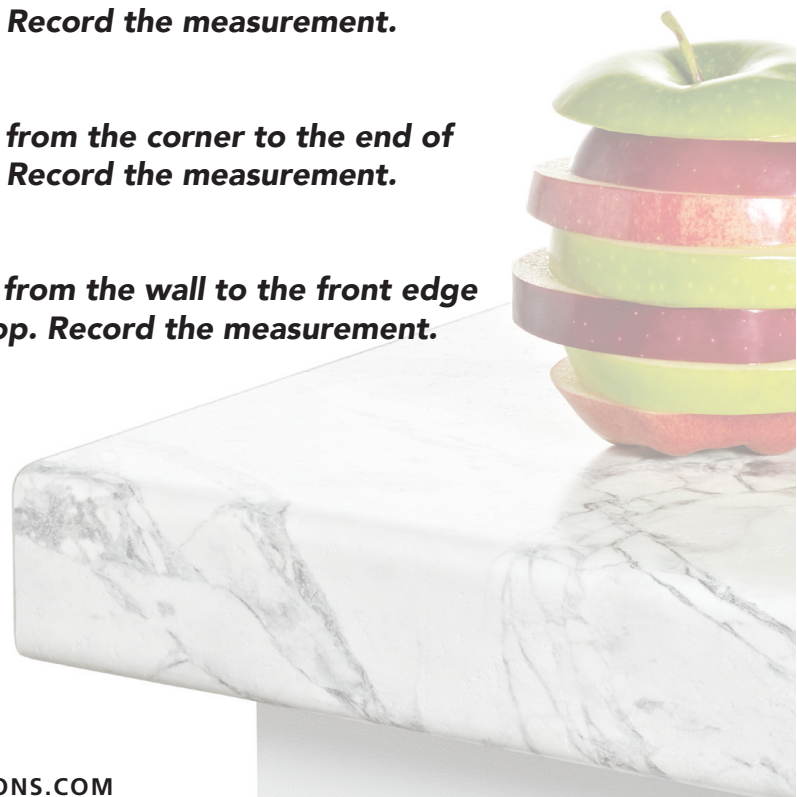
STEP 3:

Measure Side C from the corner to the end of the countertop. Record the measurement.



STEP 4:

Measure Side E from the wall to the front edge of the countertop. Record the measurement.



How to measure your Dimensions Countertop



How to Measure a U-Shaped Kitchen

STEP 1:

Measure Side A from the wall or back edge of the countertop to the front edge of the countertop. Record the measurement.

Step 2:

Measure Side B from the corner to the end of the countertop. Record the measurement

Step 3:

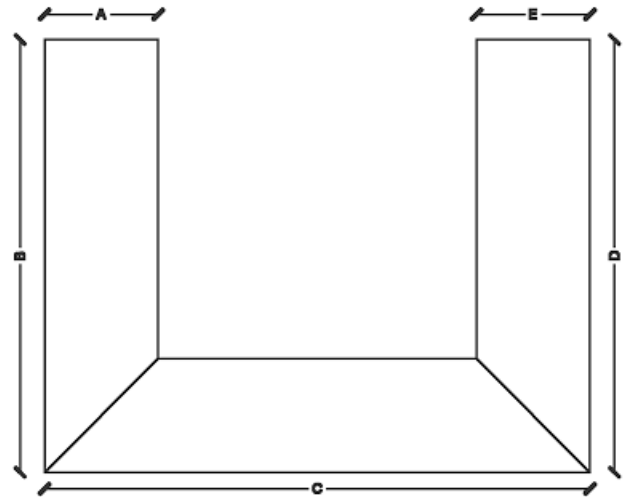
Measure Side C from the corner to the end of the countertop. Record the measurement.

Step 4:

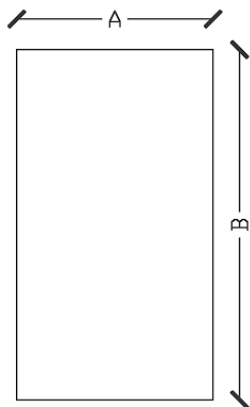
Measure Side D from the corner to the end of the countertop. Record the measurement.

Step 5:

Measure Side E from the wall or back edge of the countertop to the front edge of the countertop. Record the measurement.



How to Measure an Island



STEP 1:

Measure Side A from end to end.
Record Measurement.

Step 2:

Measure Side B from end to end.
Record Measurement

Note: If your Island countertop has a rounded end or ends, measure the widest point of the radius.

